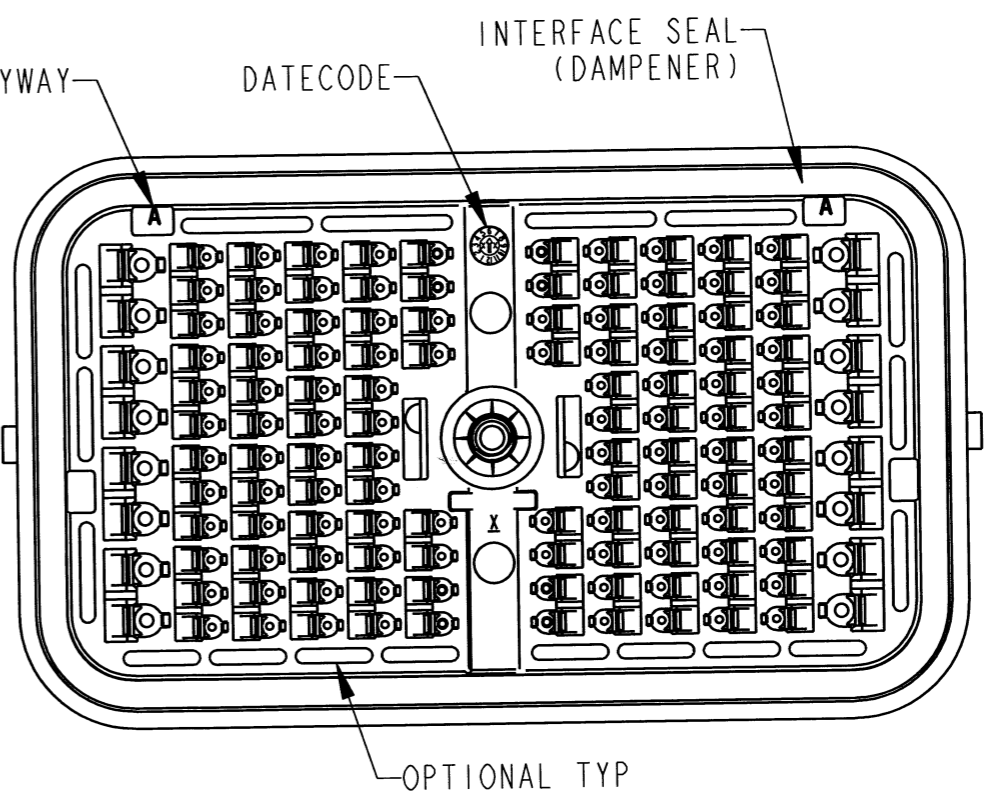
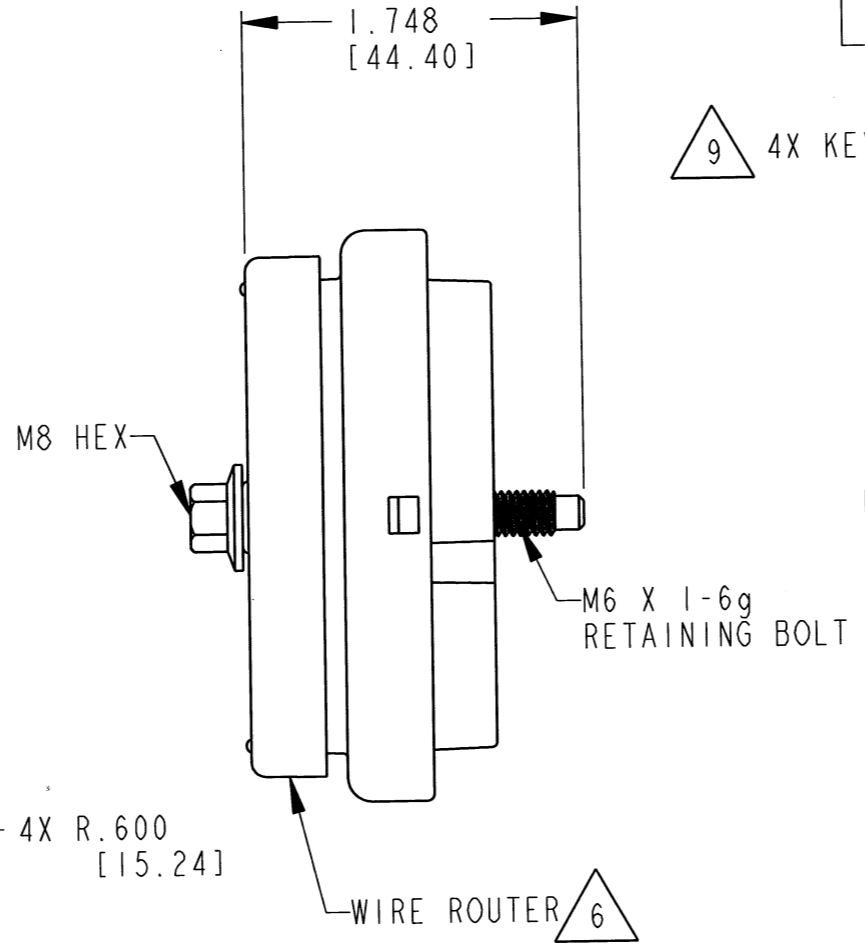
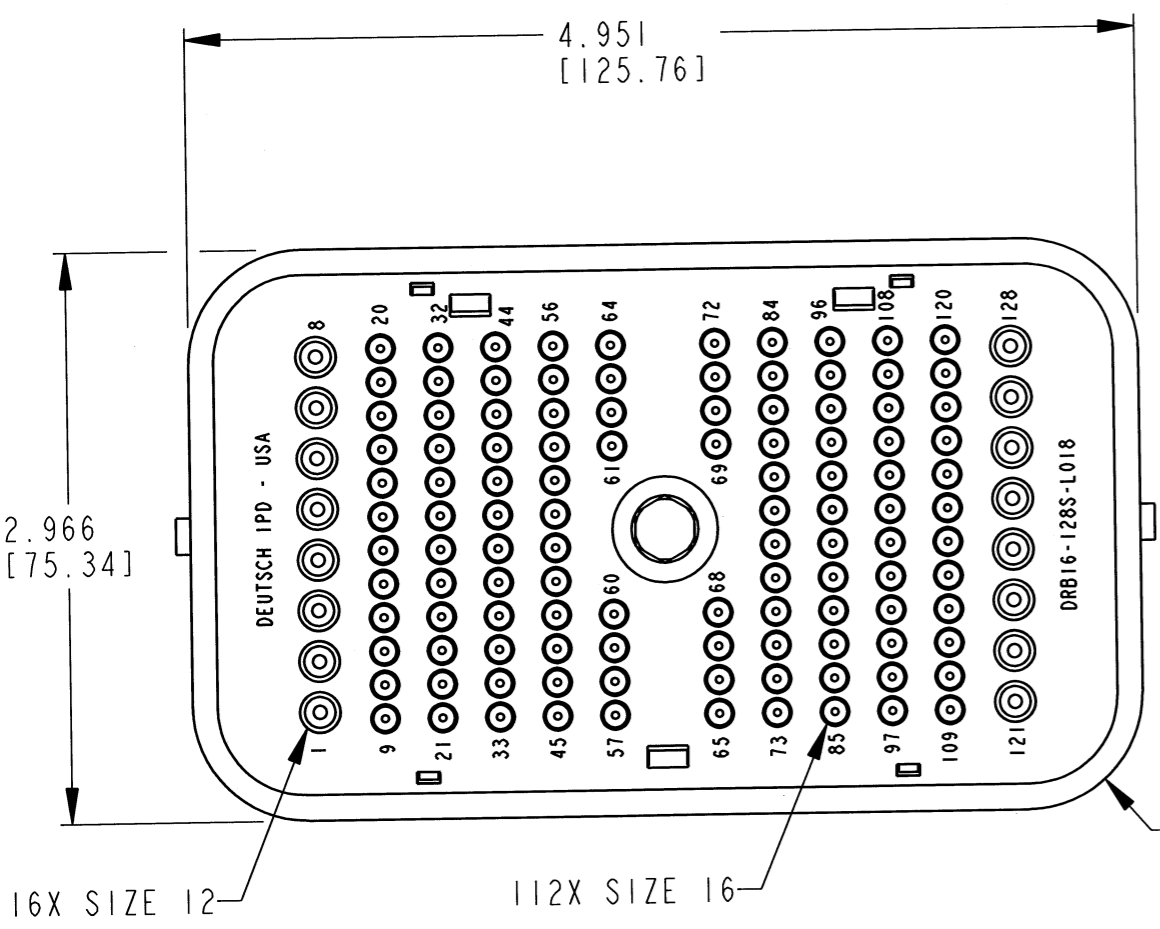


REV B DRB16-128S\*E-L018

REVISIONS			
SYM	DESCRIPTION	DATE	APPROVED
NC	NEW RELEASE PER E.O. P20345	10/15/09	R.D.R.
A	REVISED PER E.O. P20365	12/15/09	R.D.R.
B	REVISED PER E.O. P20969	6-10-11	RDR



7. MATING TORQUE REQUIREMENT: 30-35 IN-LB [3.38-3.95NM]

6. WIRE ROUTER CAP IS INCLUDED WITH PLUG (-L018).

5. THIS PLUG MATES WITH DRB12-128P\*(N)E-\*\*\*\* RECEPTACLE (\* = A,B,C,D KEYS; \*\*\*\* = ALL MODIFICATIONS) CONSULT FACTORY FOR MODS.

4. FOR CONTACTS AND WIRE PERFORMANCE AND APPLICATION CHARACTERISTICS SEE INFORMATION DRAWING 0425-015-0000.

3. ITEMS SOLD SEPARATELY: SECONDARY LOCKS: WB-64S\*, (2 REQUIRED). INTERFACE FLANGE: DRBF-1\*. (\* = A,B,C,D KEYS)

2. DIMENSION TOLERANCE: ±.025 [.64].

1. DIMENSIONS ARE IN INCHES [mm].

NOTES: UNLESS OTHERWISE SPECIFIED.

9. SEE SHEET 2 FOR OTHER KEY ARRANGEMENTS.

8. MATERIAL - PLUG: PLASTIC  
SEAL/GROMMET: RUBBER  
CLIP: STEEL  
BOLT: STEEL WITH SILVER PLATE, BOLT MAY TARNISH.

CONTACT SIZE	MIN. INSUL. O.D. [mm]	MAX. INSUL. O.D. [mm]	WIRE RANGE [mm <sup>2</sup> ] REF ONLY
12	.097 [2.464]	.158 [4.013]	12-14 AWG [3.0-2.0]
16	.053 [1.346]	.120 [3.048]	14-20 AWG [2.0-0.5]

SIGNATURE & DATE	
DR	P. CARNAHAN 10/7/99
CHK	D. May 6/10/11
PE	Paul M. ... 6/10/11
APPD	R. Reed 6-10-11
SCALE	NONE WT

PLUG, 128 CONTACTS  
KEYS: A, B, C, D  
"E" SEAL; COLOR: BLACK  
-L018 MOD  
DRB SERIES  
ENVELOPE

EP EP202 MATL. CODE

3850 INDUSTRIAL AVE.  
HEMET, CA 92545

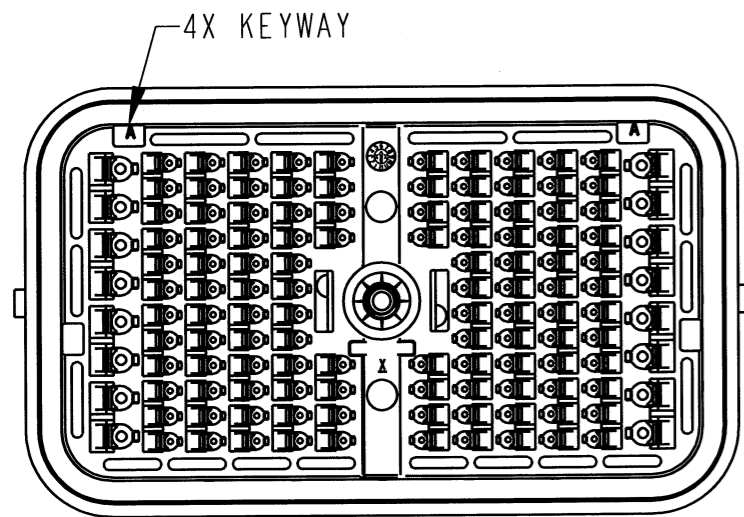
**DEUTSCH**  
INDUSTRIAL

**B** DRB16-128S\*E-L018

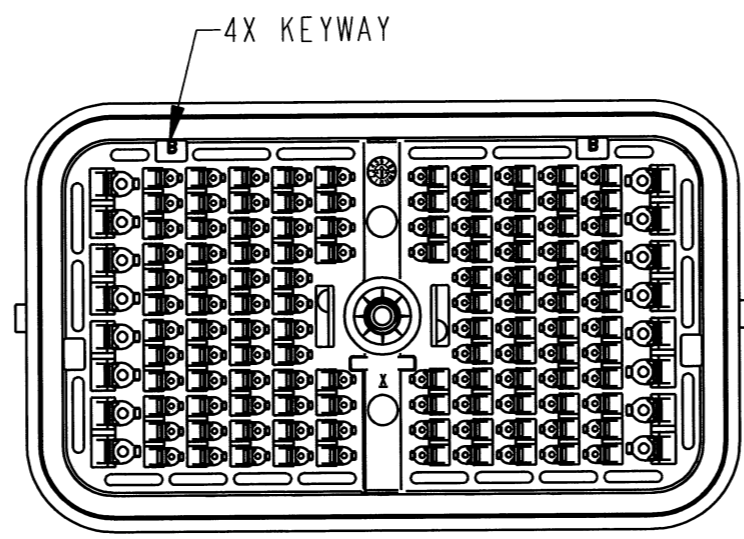
DWG SIZE 11139 SHEET 1 OF 2

REV  
B DRB16-128S\*E-L018

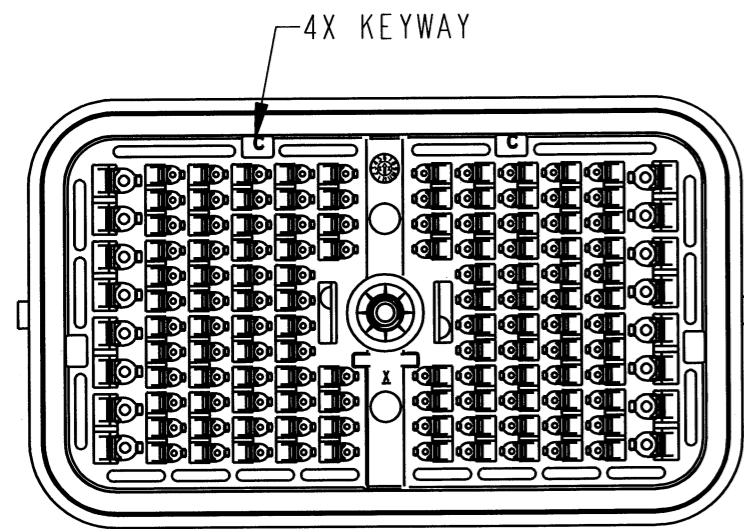
REVISIONS			
SYM	DESCRIPTION	DATE	APPROVED
NC	NEW RELEASE PER E.O. P20345	10/15/09	R.D.R.
A	REVISED PER E.O. P20365	12/15/09	R.D.R.
B	REVISED PER E.O. P20969	6-10-11	RDR



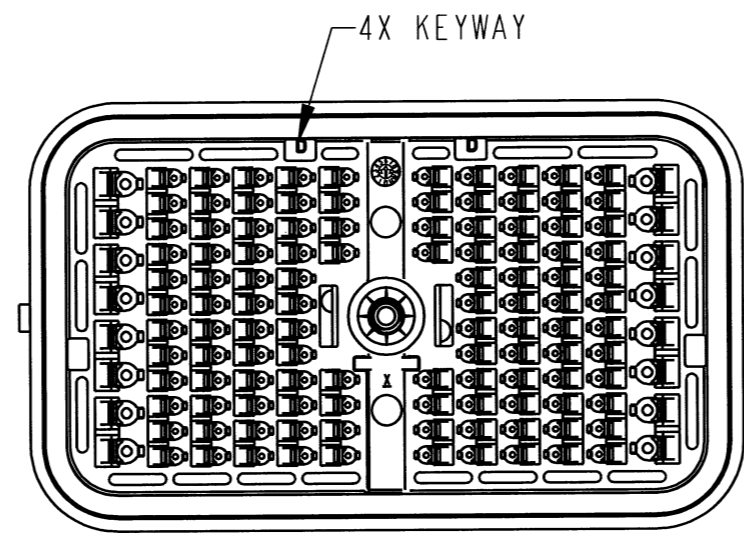
**DRB16-128SAE-L018**  
KEY: A



**DRB16-128SBE-L018**  
KEY: B



**DRB16-128SCE-L018**  
KEY: C



**DRB16-128SDE-L018**  
KEY: D

SIGNATURE & DATE	
DR	P. CARNAHAN 10/7/09
CHK	D. May 6/10/11
PE	Paul M. ... 6/10/11
APPD	R. Reed 6-10-11
SCALE	NONE WT _____

PLUG, 128 CONTACTS  
KEYS: A, B, C, D  
"E" SEAL; COLOR: BLACK  
-L018 MOD  
DRB SERIES  
  
ENVELOPE

EP	EP202	MATL. CODE
3850 INDUSTRIAL AVE. HEMET, CA 92545		
<b>B</b>	<b>DRB16-128S* E-L018</b>	
	DWG SIZE	CODE 11139 SHEET 2 OF 2

NOTES: SEE SHEET 1.